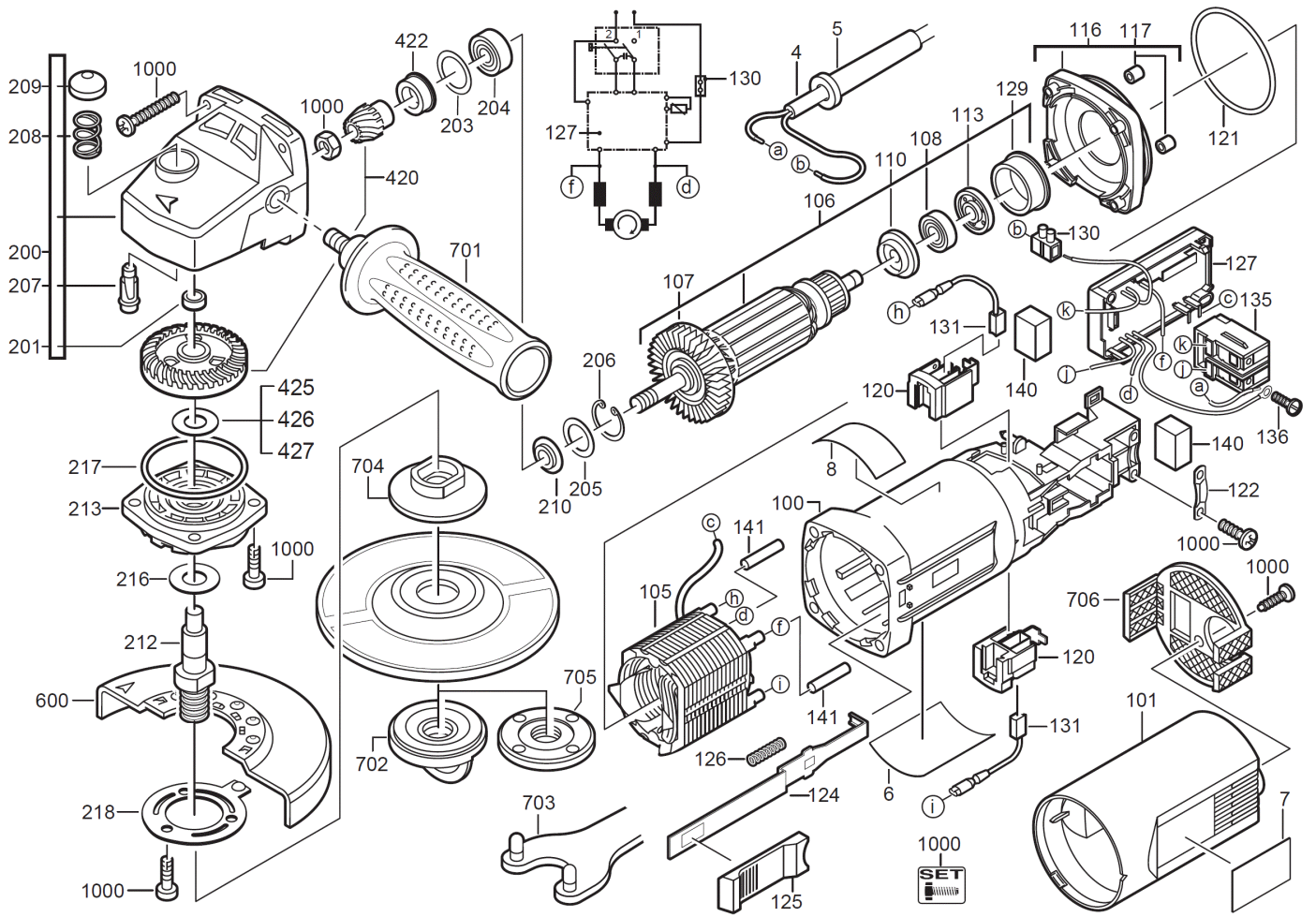


AGS15-125C ANGLE GRINDER IN2

4933407480 - AGS15-125C - 4000455415





Position	Quantity	Description	Part number	EAN
0004 1	1	CONNECTION CABLE	4931623861	4002395704293
0005 2	1	CABLE ENTRY SLEEVE	4931218785	4002395583805
0006 3	1	RATING PLATE	4931476722	4058546391690
0007 4	1	NAME PLATE	4931382311	4002395691104
0008 5	1	STICKER	4931442232	4002395873579
0100 6	1	MOTOR HOUSING	4931442820	4002395253029
0101 7	1	HOUSING CAP	4931407395	4002395790852
0105 8	1	ELECTRIC FIELD	4931442729	4002395883905
0106 9	1	ARMATURE	4931442661	4002395883189
0107 10	1	FAN	4931341088	4002395626205
0108 11	1	BALL BEARING	4931624662	4002395790890
0110 12	1	INSULATING DISC	4931271823	4002395588138
0113 13	1	MAGNETIC DISC	4931426570	4002395856497
0116 14	1	INTERMEDIATE FLANGE	4931369787	4002395674190
0117 15	2	HOLDING-DOWN DEVICE	4931409768	4002395847617
0120 16	2	BRUSH HOLDER	4931407433	4002395791866
0121 17	1	SEAL RING	4931623590	4002395702992
0122 18	1	CABLE COLLAR	4931256500	4002395586547
0124 19	1	GUIDE PIECE	4931326959	4002395607877
0125 20	1	SLIDER	4931455746	4002395176694
0126 21	1	PRESSURE SPRING	4931326981	4002395607945
0127 22	1	ELECTRONIC ELEMENT	4931455148	4002395175024
0129 23	1	BEARING SLEEVE	4931326953	4002395607846
0130 24	1	TERMINAL STRIP	4931341008	4002395626144
0131 25	1	CARBON BRUSH SET	4931381391	4002395726936
0135 26	1	SWITCH	4931407397	4002395791613
0136 27	1	SCREW D 85 AM 3,5X5	4931617313	4002395694761
0140 28	1	DUST SEAL	4931407396	4002395793969
0141 29	1	HOSE	4931407486	4002395792887
0200 30	1	GEAR BOX	4931412193	4002395798919
0201 31	1	SLEEVE N874989 HKO 0810	4931912093	4002395706464
0203 32	1	WASHER	4931362085	4002395660254
0204 33	1	GROOVED BALL BEAR.	4931368037	4002395670642
0205 34	1	DISC	4931622761	4002395699056
0206 35	1	LOCKING RING	4931616614	4002395694624
0207 36	1	LOCKING BOLT	4931326929	4002395607785
0208 37	1	PRESSURE SPRING	4931326942	4002395607822
0209 38	1	PUSH-BUTTON	4931326930	4002395607792
0210 39	1	WASHER	4931624287	4002395732098
0212 40	1	SPINDLE	4931409808	4002395837168
0213 41	1	BEARING END PLATE	4931378310	4002395683789
0216 42	1	DISC	4931623480	4002395702398
0217 43	1	SEAL RING	4931623590	4002395702992
0218 44	1	SPRING WASHER	4931345965	4002395633623
0420 45	1	BEVEL GEAR PAIR	4931407037	4002395782154
0422 46	1	WASHER	4931362086	4002395660261
0425 47	1	DISC N874237 12,2X22X0,1	4931808473	4002395727544
0426 48	1	DISC N874237 12,2X22X0,2	4931925940	4002395706624
0427 49	1	DISC	4931624256	4002395723379
0600 50	1	GUARD CAP	4931407642	4002395798834

Position	Quantity	Description	Part number	EAN
0701 51	1	HANDLE	4932409546	4002395370870
0702 52	1	FIXTEC NUT P1	4932352473	4002395371327
0703 53	1	PIN SPANNER 115-230/WP/WSAP1 A/M	4932367712	4002395338467
0704 54	1	CLAMPING FLANGE WS115-230 P1 A/M	4932449324	4002395245185
0705 55	1	FLANGE NUT M14 3MM P1 A/M	4932345628	4002395313105
0706 56	1	DUST PROTEC. GRILLE WS125-150 P1 AEG	4932329397	4002395303892
1000 57	1	CONNECTION SET	4931407948	4002395814329